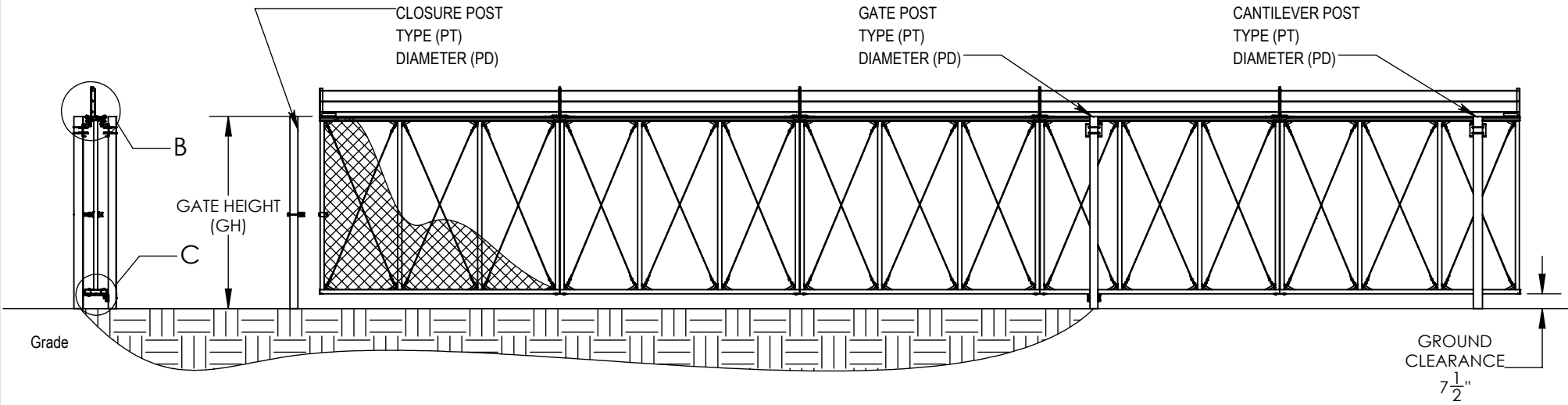
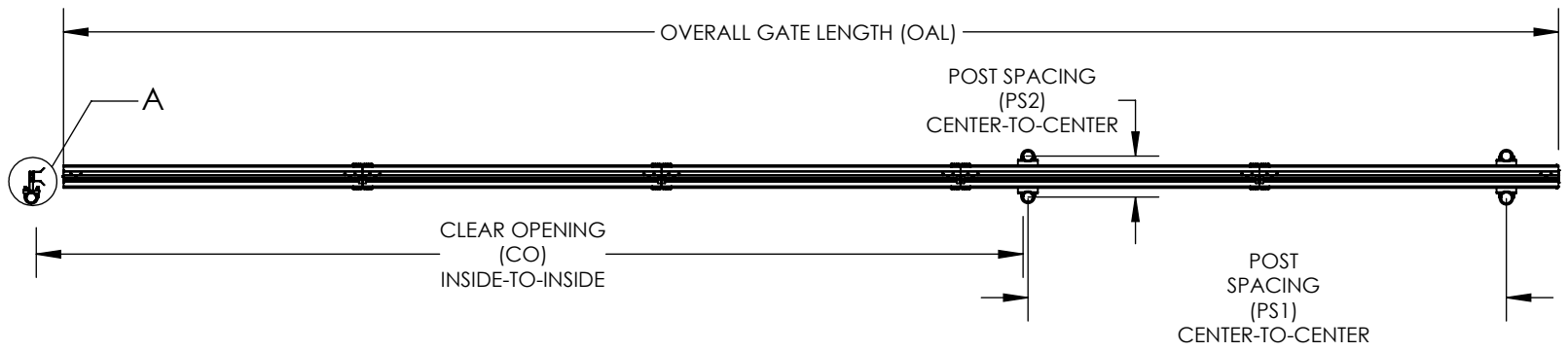


DIM	VALUE
CO	
PS1	
PS2	
GH	
OAL	
PT	
PD	



1. GATE OPERATOR INSTALLATION AND SAFETY STANDARD PER UL-325 (STANDARD FOR DOOR, DRAPERY, GATE LOUVER AND WINDOW OPERATORS AND SYSTEMS)
2. GATE FABRICATION AND SAFETY STANDARD PER ASTM F2200 (AUTOMATED VEHICULAR GATE CONSTRUCTION)
3. GATE FRAME CONSTRUCTED USING ALUMINUM 6061-T6 FOR SUPERIOR CORROSION RESISTANCE AND STRUCTURAL INTEGRITY
4. TWO 5/16" EYE BOLT AND 1/4" GALV CABLES FOR GATE RIGIDITY

5. PRODUCT IS SOLD AS KITS: i) GATE SEGMENT KIT, ii) HARDWARE KIT, iii) SPLICE KIT, iv) GAP FILLER (OPTIONAL), v) BARB ARM KIT (OPTIONAL)
6. GATE SEGMENT HEIGHT OPTIONS: 6', 7' AND 8'
7. FOOTINGS TO BE INSTALLED AS PER OPSD 972.1328. MULTIPLE GATE SEGMENTS CAN BE SPLICED TOGETHER TO REACH REQUIRED OVERALL LENGTH
9. AVAILABLE GATE INFILLS INCLUDE GALVANIZED CHAINLINK (PICTURED ABOVE), WOOD PANEL, AND ORNAMENTAL
10. GATES CAN BE FITTED WITH 3-STRAND BARBED WIRE (MODELED ABOVE IF INCLUDED)



WWW.ARMAGATE.COM

Address:  
927 Alloy Drive  
Thunder Bay, Ontario  
P7B5Z8  
Canada

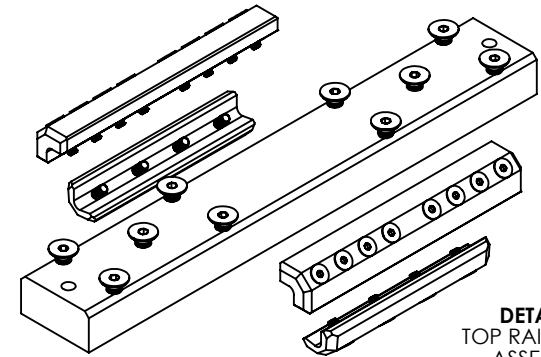
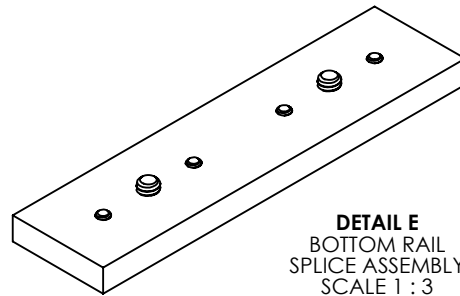
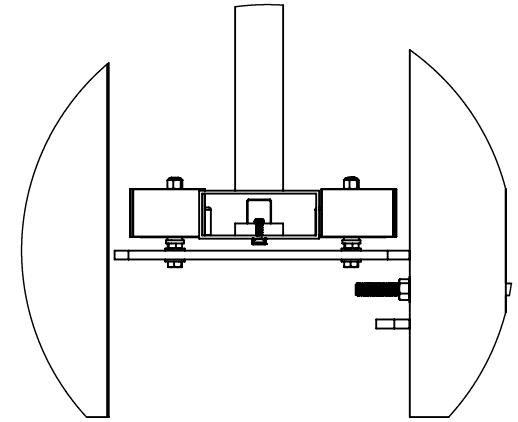
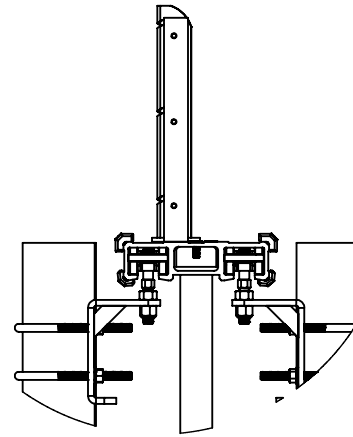
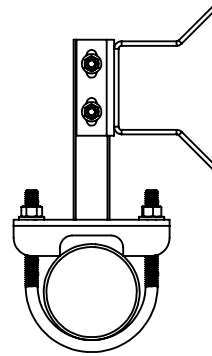
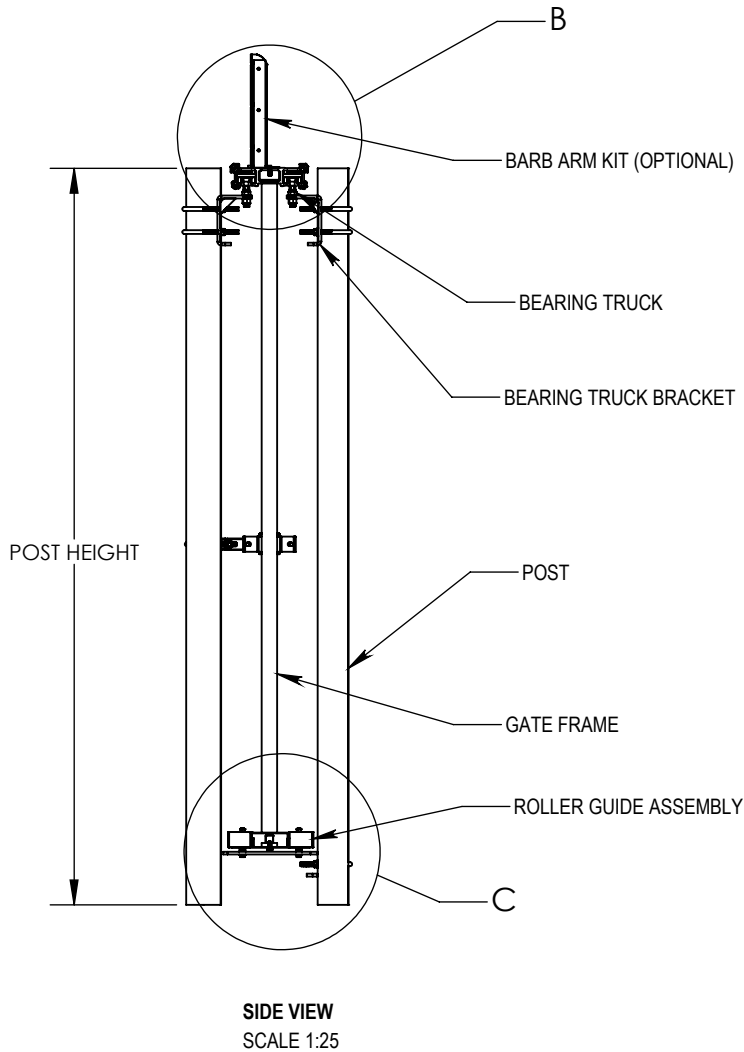
Title: EC290 - ARMA Gate Double-Track

Description:  
DOUBLE TRACK ARMA

Client:  
DWG. NO: ARMA-EC290-(CO)X(GH)-BARB

Drawn By: B.O.  
Appr By: T.B.  
Date: 2022-07-26

REV: REV01  
Scale: AS NOTED



**ARMA™**  
**GATE**

WWW.ARMAGATE.COM

Address:  
927 Alloy Drive  
Thunder Bay, Ontario  
P7B5Z8  
Canada

Title: EC290 - ARMAGate Double-Track

Description:  
DOUBLE TRACK ARMA

Client:  
DWG. NO: ARMA-EC290-(CO)X(GH)-BARB

Drawn By:  
B.O.

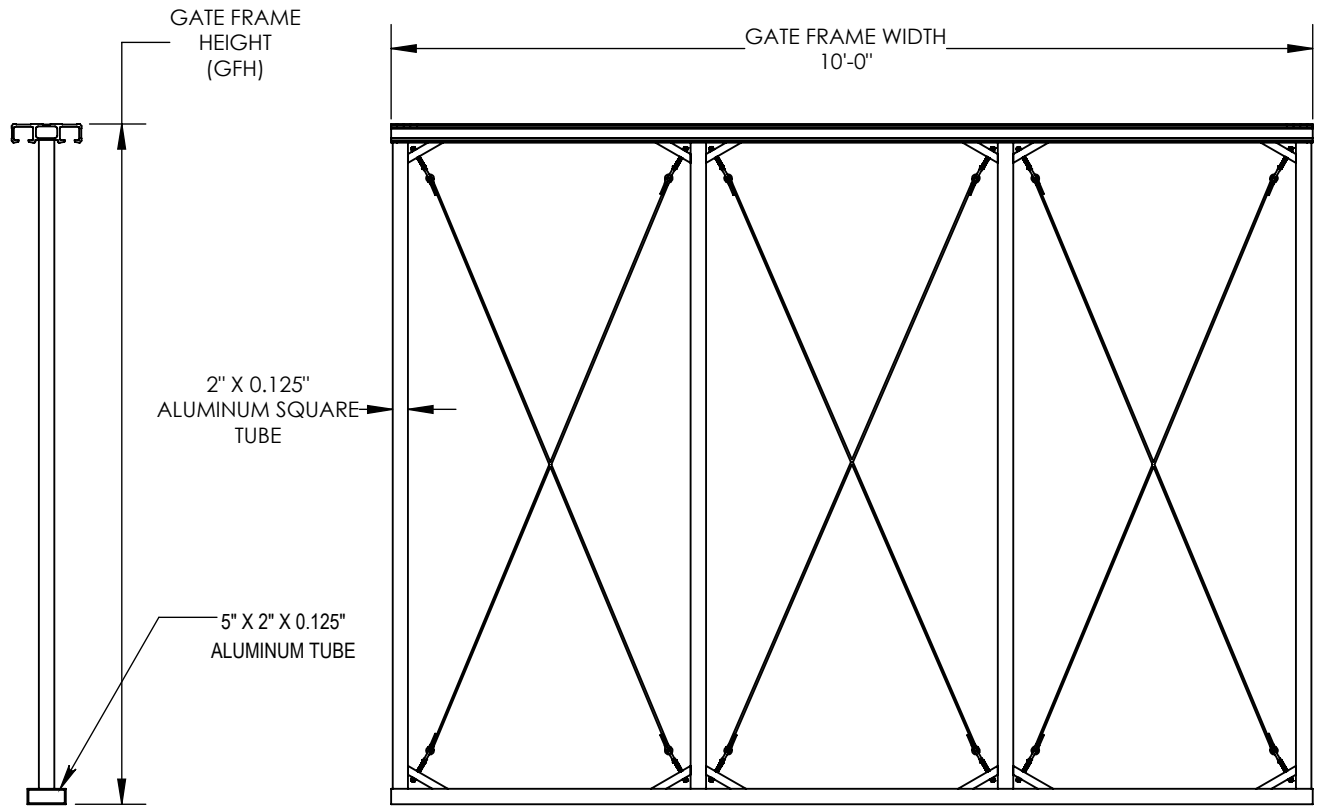
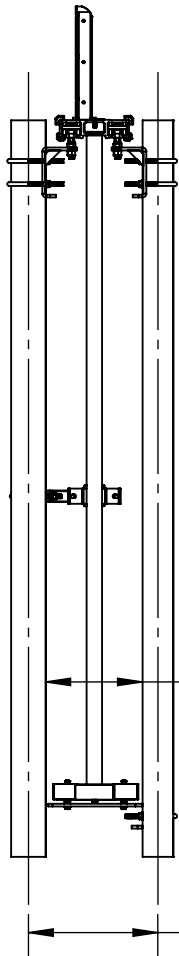
Appr By:  
T.B.

Date:  
2022-07-26

REV: REV01

Scale: AS NOTED

GATE HEIGHT (GH)	GFH
6'	64.56"
7'	76.56"
8'	88.56"



POST SPACING		
POST DIAMETER	PS2 (C-C)	PS2 (IN-IN)
3"	15	12
3.5"	15 13/16	12 5/16
4"	16 9/16	12 9/16
4.5"	17 3/16	12 11/16
6.625"	20 7/16	13 13/16

**GATE FRAME  
CONSTRUCTION  
DETAILS  
SCALE 1:25**



WWW.ARMAGATE.COM

Address:  
927 Alloy Drive  
Thunder Bay, Ontario  
P7B5Z8  
Canada

Title: EC290 - ARMA Gate Double-Track

Description:  
DOUBLE TRACK ARMA

Client:  
DWG. NO: ARMA-EC290-(CO)X(GH)-BARB

Drawn By:  
B.O.

Appr By:  
T.B.

Date:  
2022-07-26

REV: REV01

Scale: AS NOTED